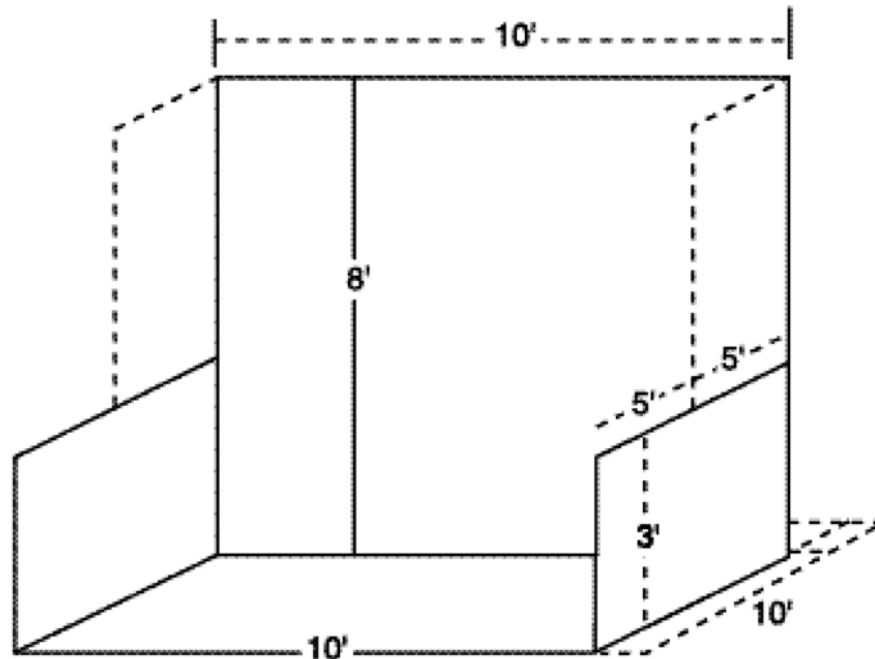


Women's Showcase

A NEW PERSPECTIVE ON TODAY'S WOMAN™



Booth Construction

The standard booth configuration is 10 foot square. Booth size increases by double in width, ex: 10x20. Displays may not exceed 10 feet in height across the back of the booth including sign and no more than 3 feet in height half the distance from the aisle to back curtain. Variations from this configuration must be approved by the Women's Showcase manager. The height limitations do not apply to island displays. During set up, measure booth from front towards back of allotted area to allow for Fargodome electrical equipment to be placed between back to back exhibits.

Please direct any questions about the configuration of exhibit to Marketing Events Coordinator at (701) 241-5419.